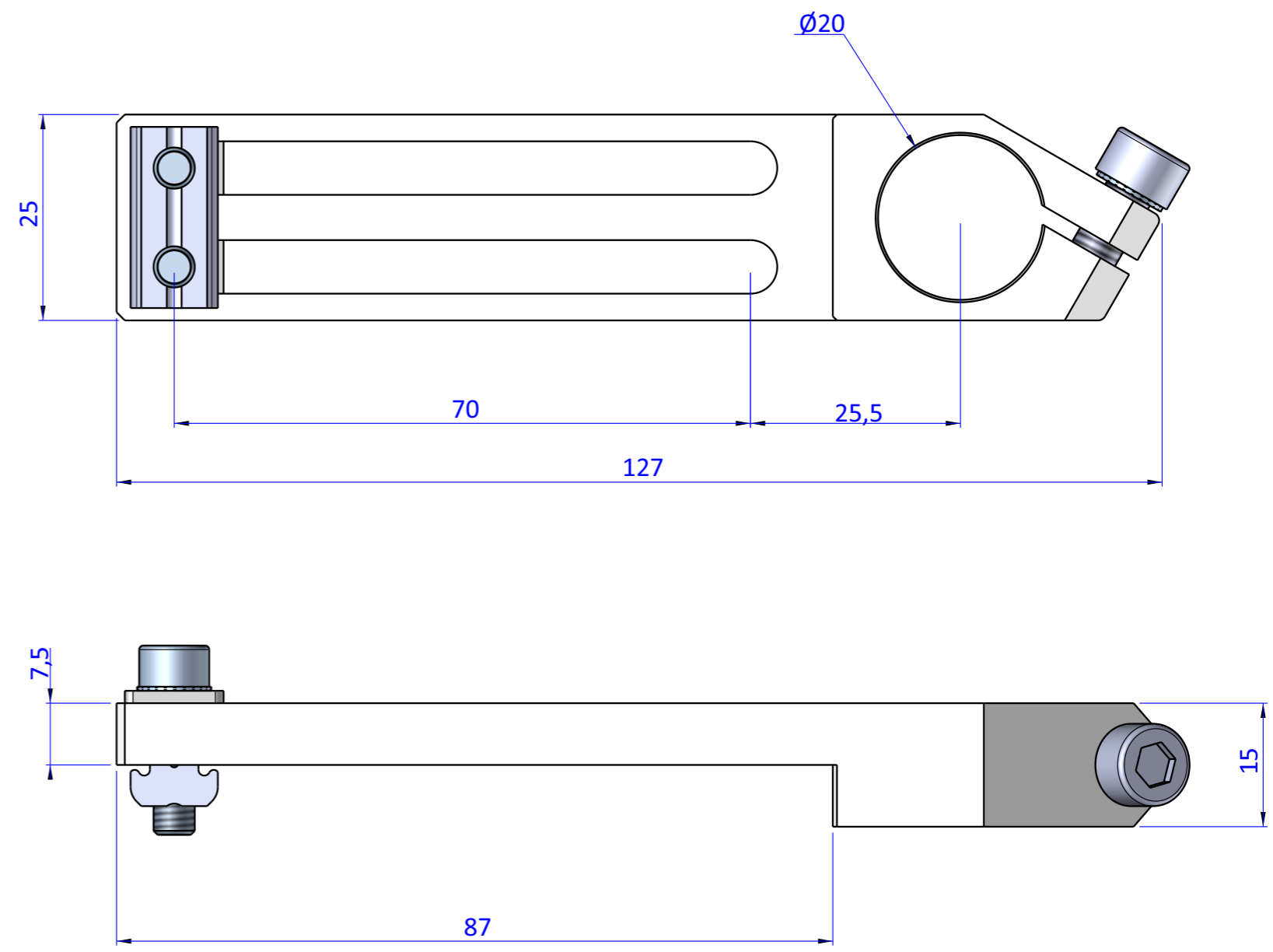
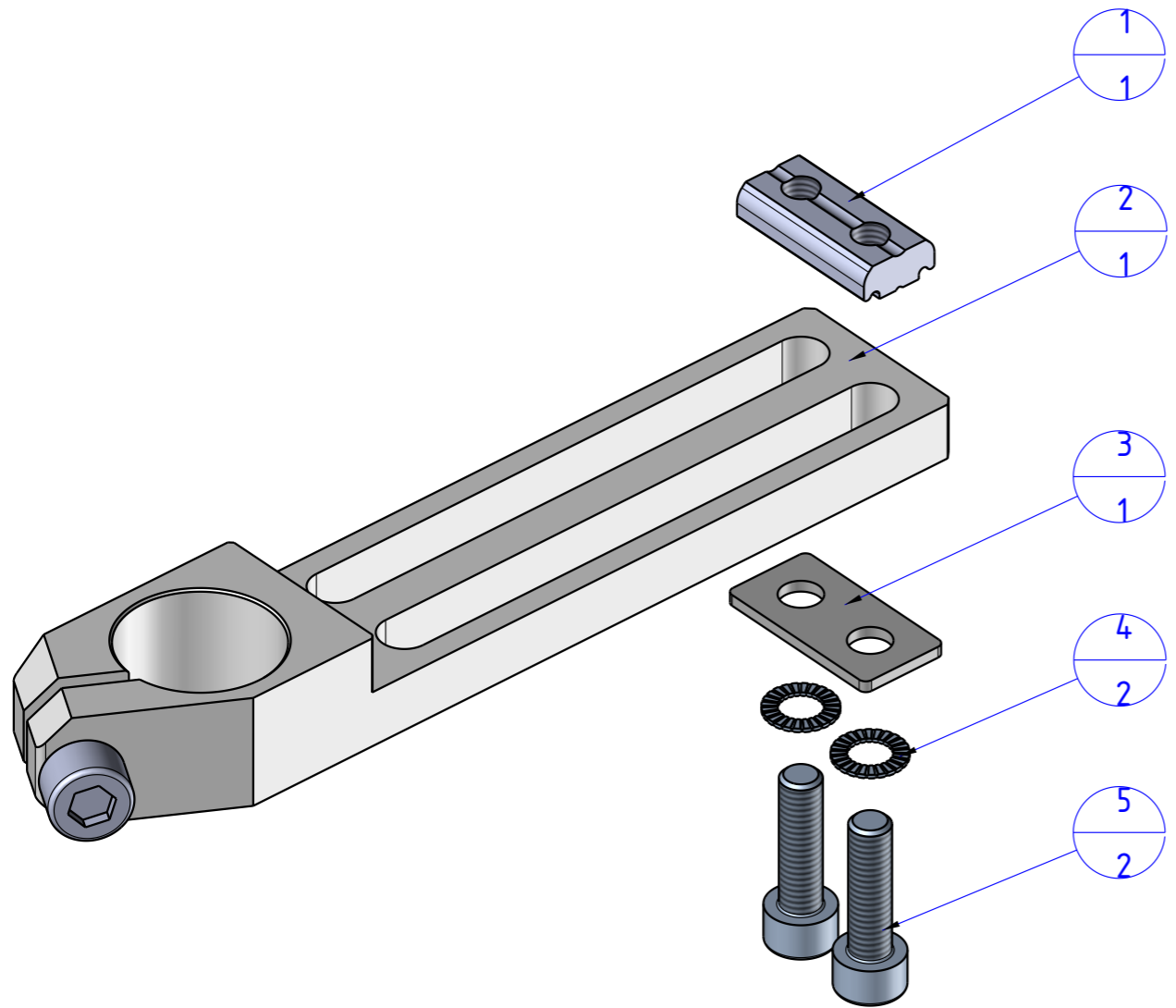



THE PROPERTY OF THE DRAWING IS ESTABLISHED BY LAW. IT IS FORBIDDEN TO PRODUCE OR SHOW IT TO THIRD PART. WITHOUT A WRITTEN AGREEMENT.

Item	Name	Q.ty
1	CA.GWP.5.12	1
2	CA.WSL.2070.U	1
3	R.05.12	1
4	R.5.SCH	2
5	V.TCE5x18	2



Format A3
UNI 936-76

 FPS FPSERVICES AUTOMATION		DESIGNED FROM		REVIEW
		FPS Automation		A
GENERAL TOLERANCE		DATE	WEIGHT	
UNI - ISO 2768		01/03/2021	0,062kg	
CLASSE f		DESCRIPTION	CODE	
		CA.WSL.2060.U.X	CA.WSL.2070.U.X	